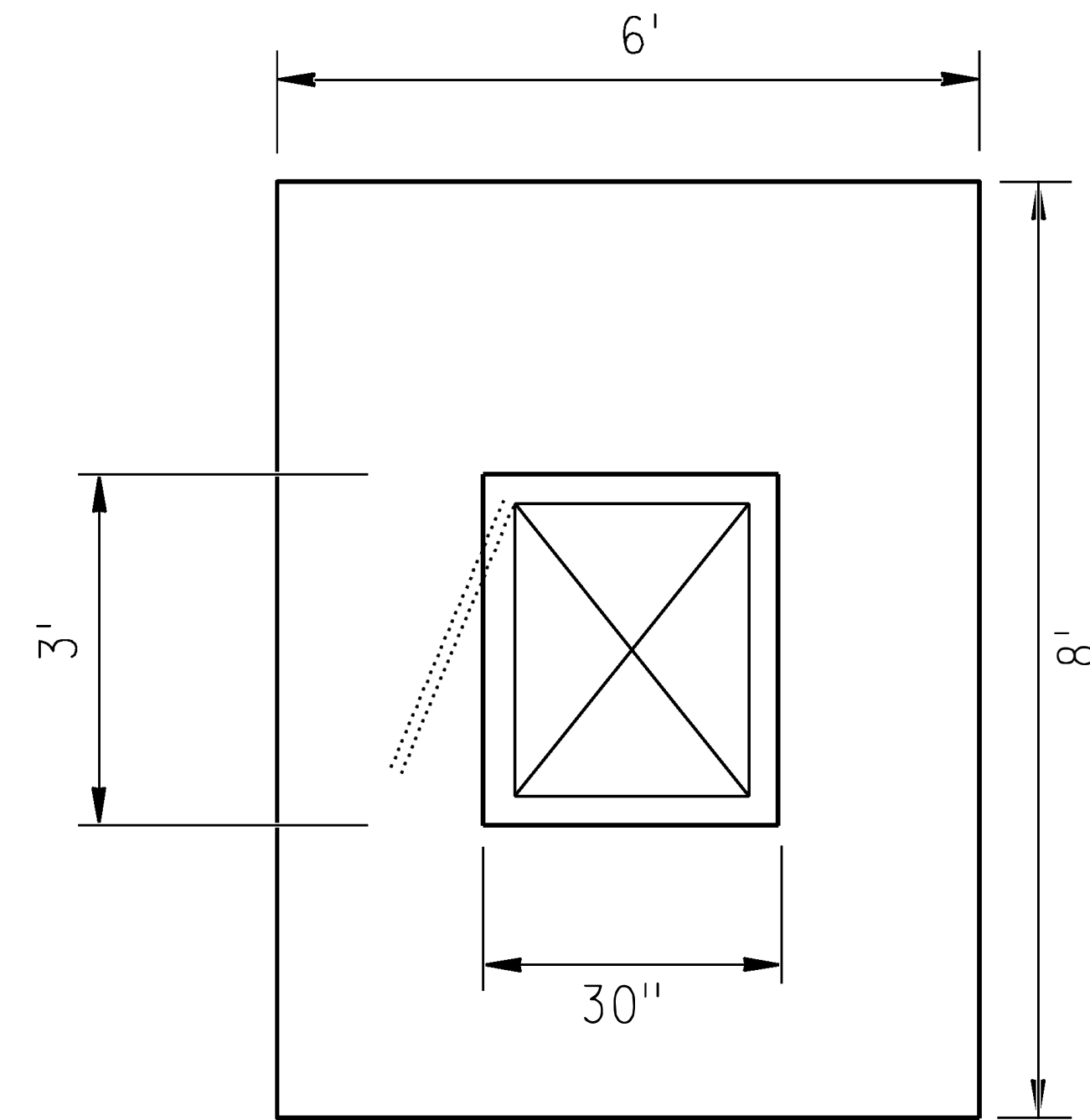


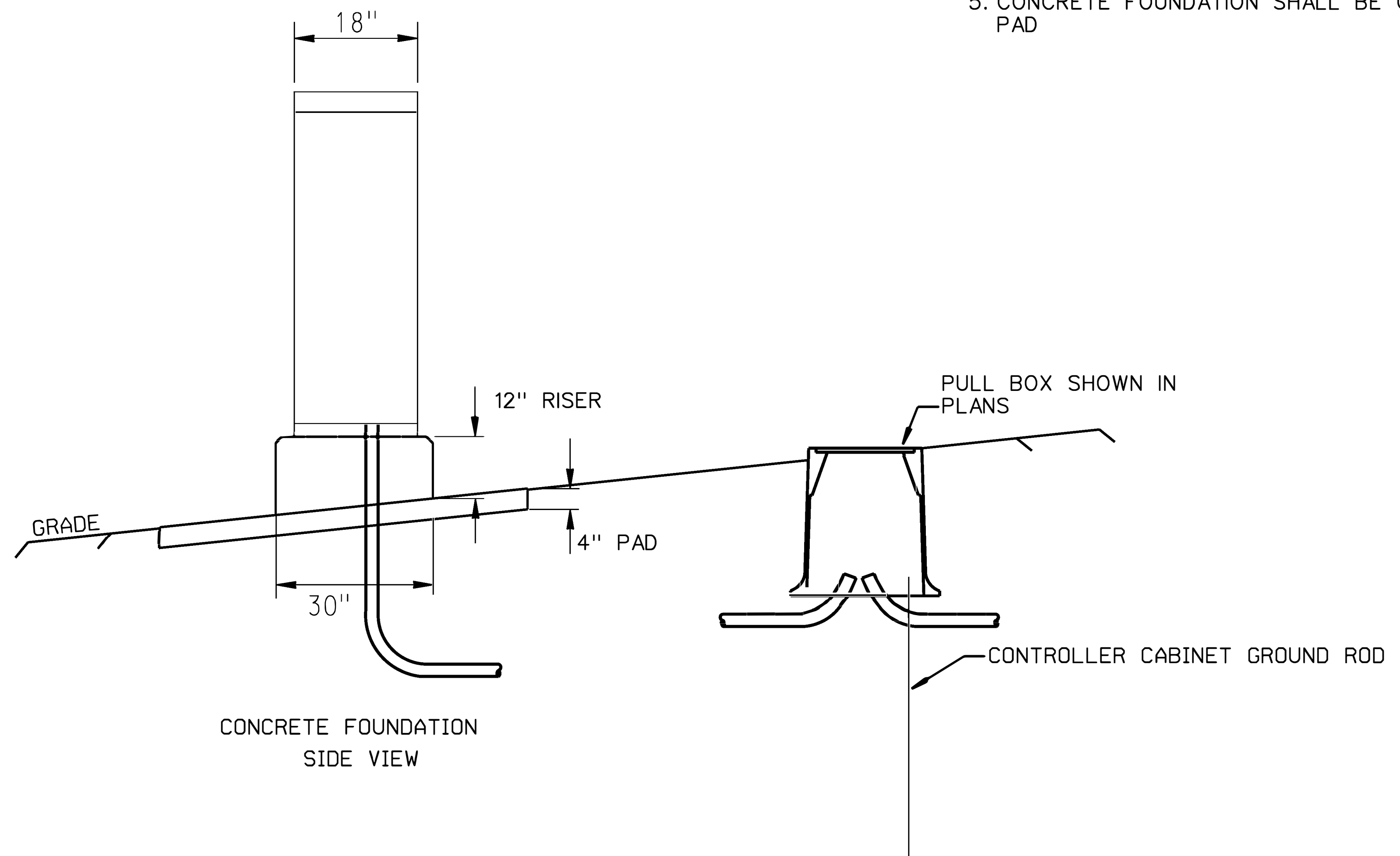
TRAFFIC ENGINEERING DIVISION

Computer: BG0423M134

File: autogate controller typical.dwg: 20-MAY-2022 08:10



CONCRETE FOUNDATION
TOP VIEW

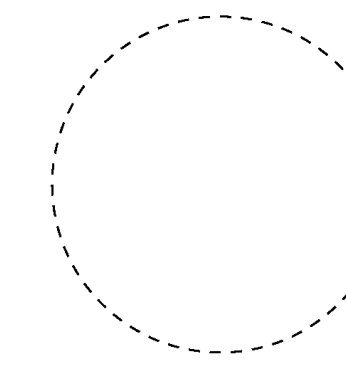


CONCRETE FOUNDATION
SIDE VIEW

NOTES

1. CABINET SHALL BE INSTALLED PER MANUFACTURERS RECOMMENDATIONS
2. USE TYPE 316 STAINLESS STEEL FOR ALL CABINET MOUNTING HARDWARE
3. GROUND ROD MAY BE PLACED IN THE PULL BOX.
4. CONCRETE FOUNDATION SHALL EXTEND 12" ABOVE GRADE
5. CONCRETE FOUNDATION SHALL BE CENTERED ON 4" PAD

CONTROLLER FOUNDATION DETAIL
NOT TO SCALE

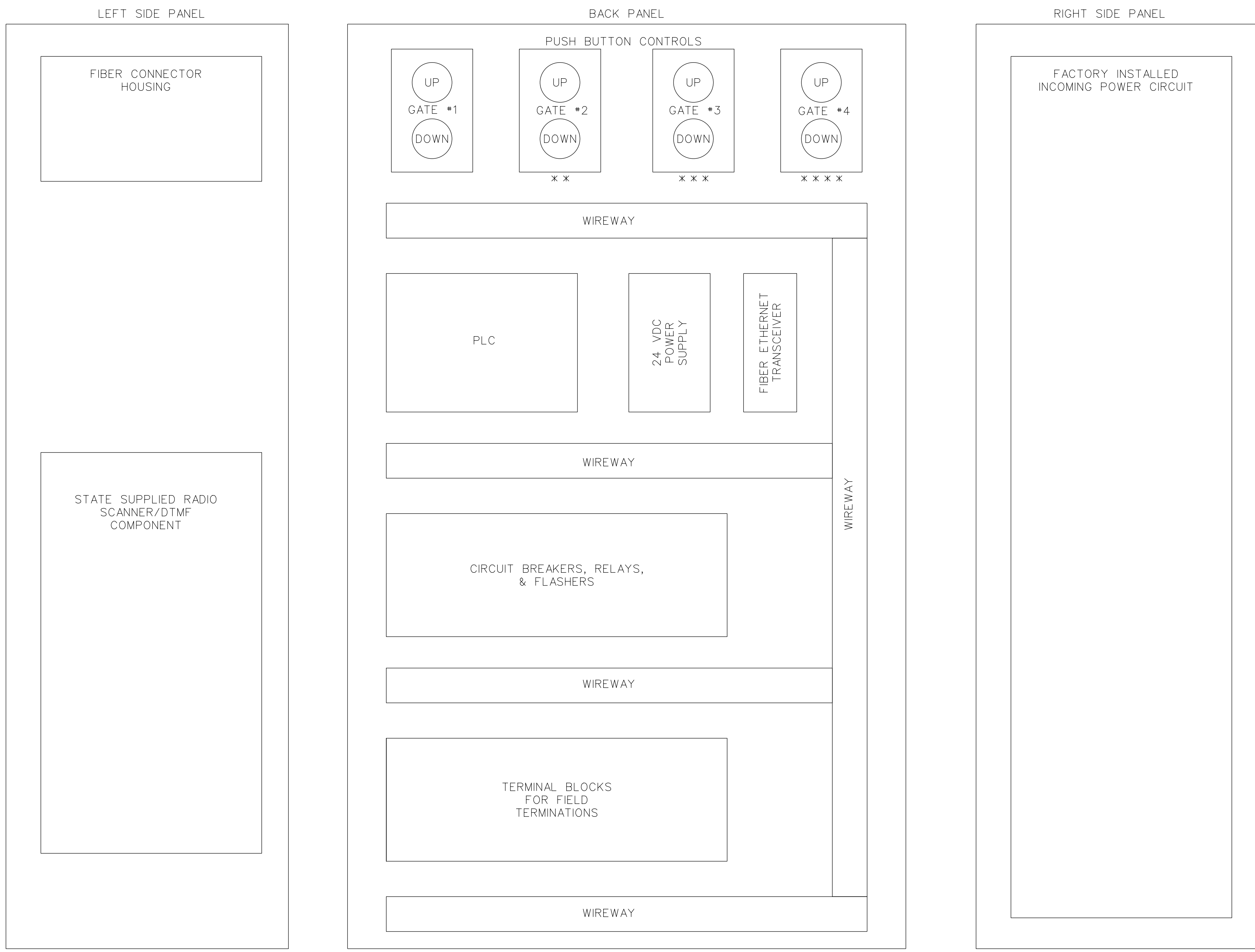


NEBRASKA DEPARTMENT OF ROADS OPERATIONS DIVISION ITS			
AUTOMATED GATE TYPICAL PLAN			
DESIGNED	CONTROLLER CABINET MOUNTING		
REVIEWED			
APPROVED	DATE DRAWN	ENGINEER	DATE

TRAFFIC ENGINEERING DIVISION

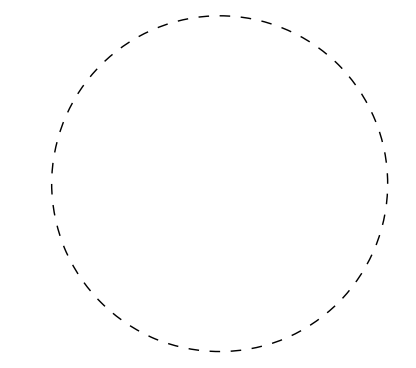
Computer: B00423M134

File: autogate controller typicais.dwg: 20-MAY-2022 08:10



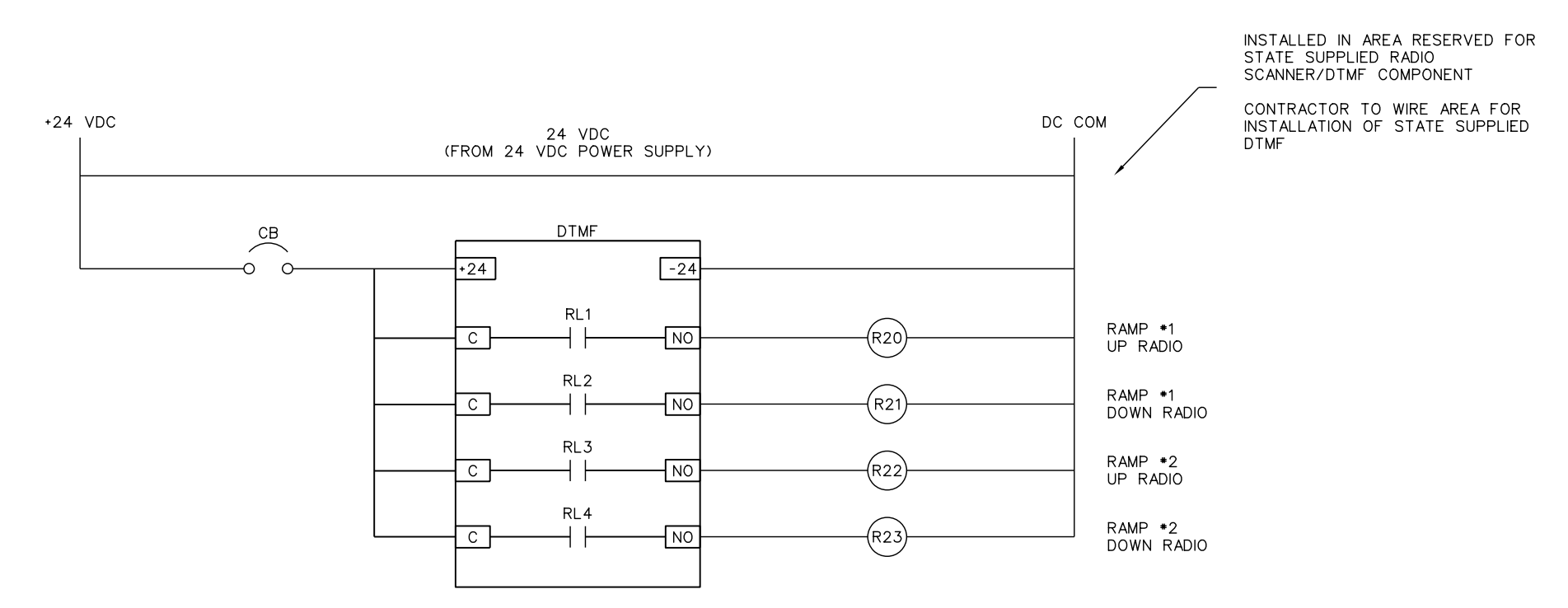
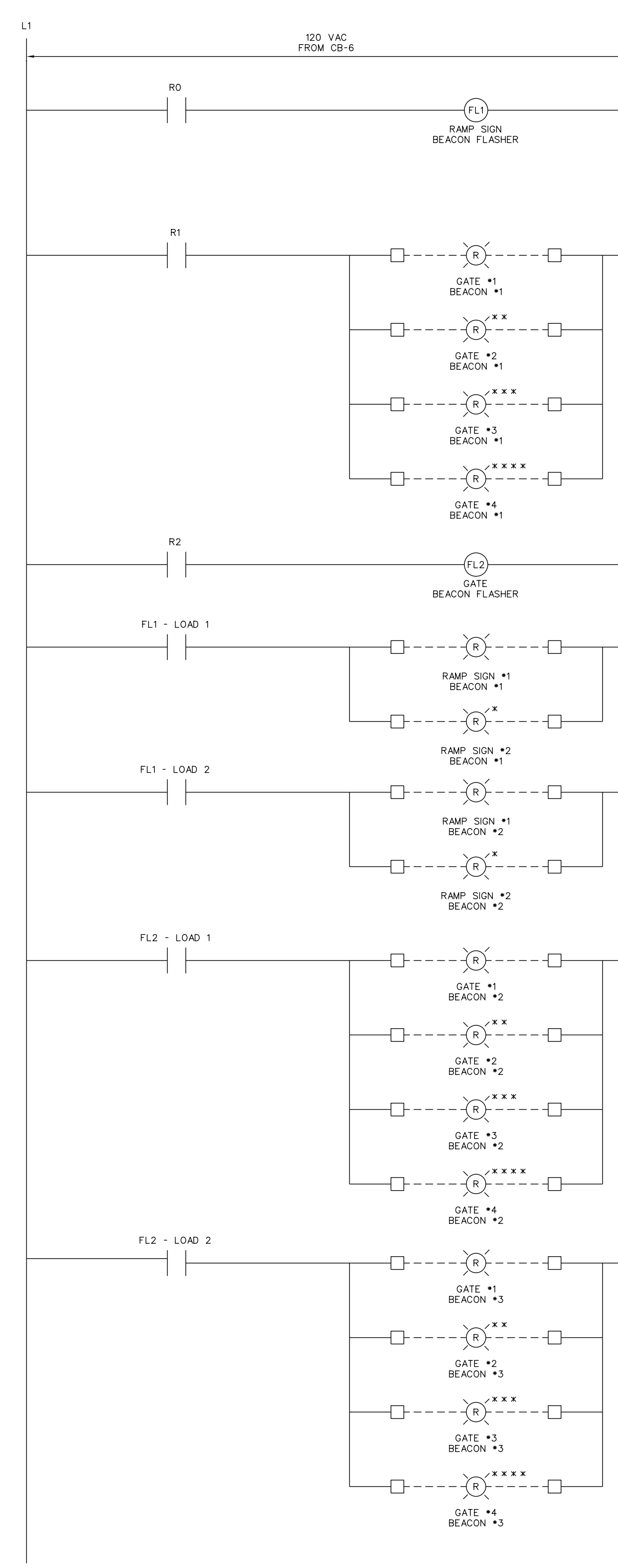
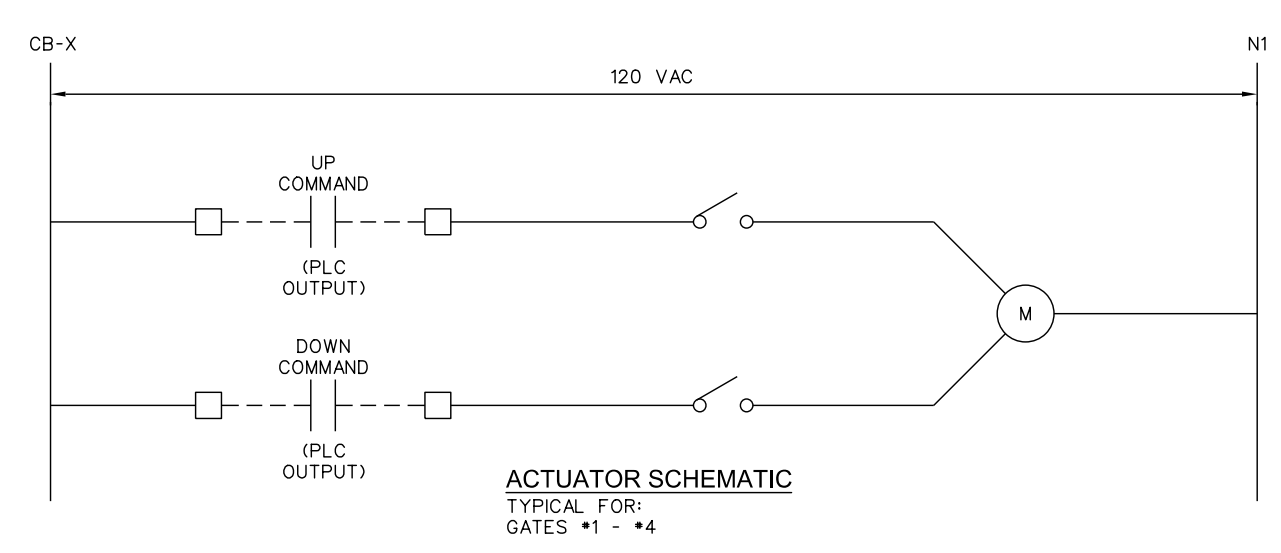
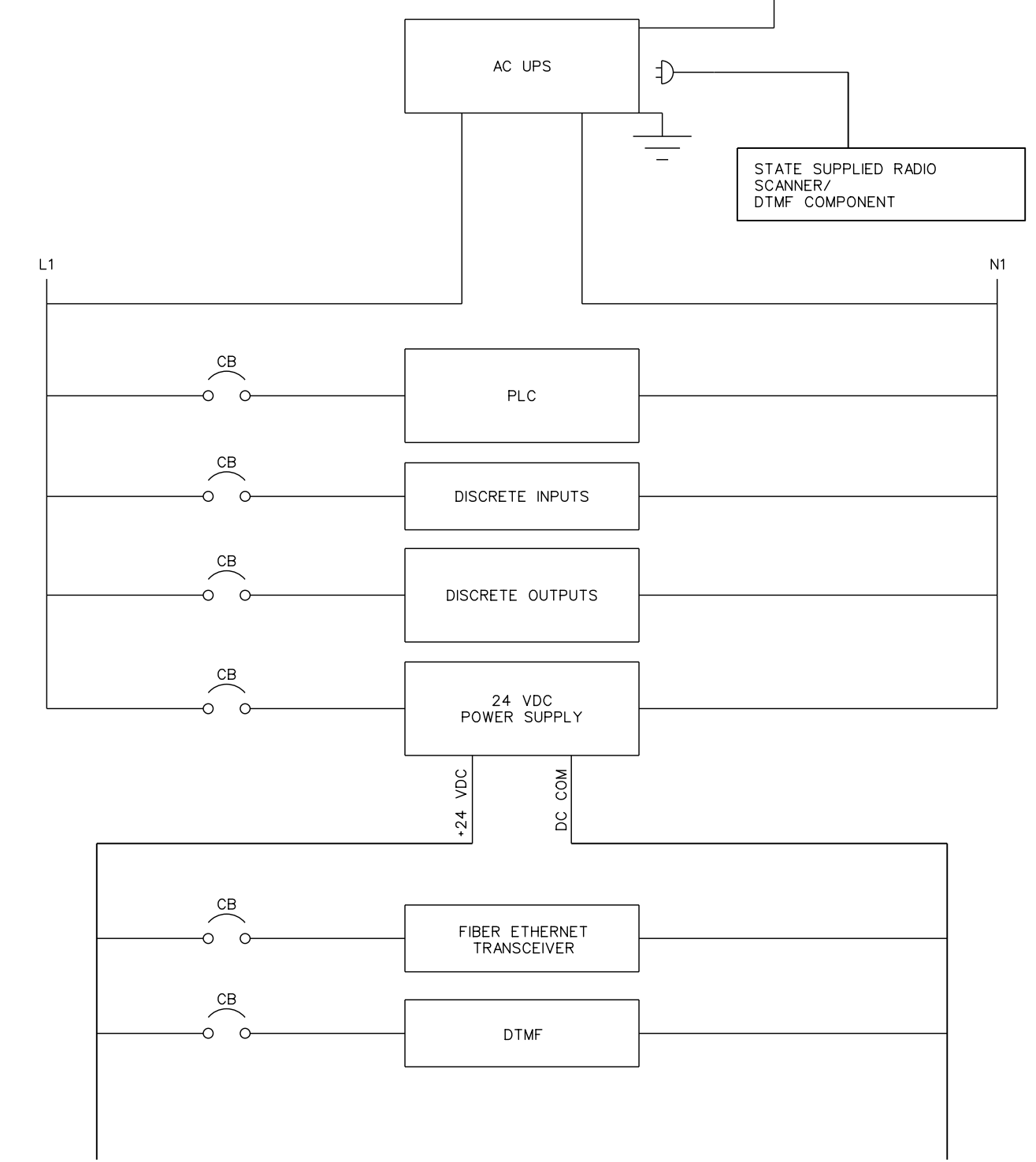
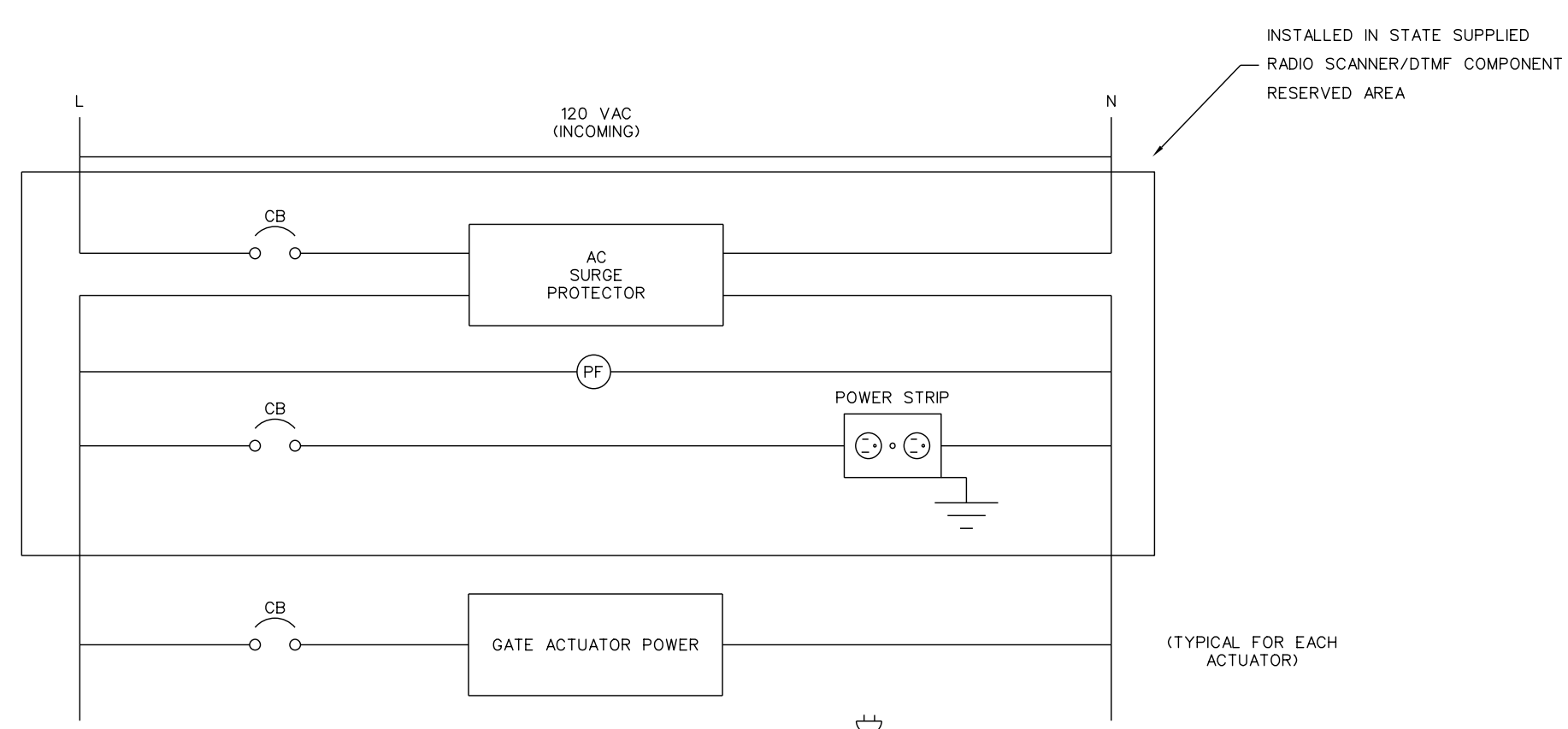
LEGEND

- * SELECT LOCATIONS ONLY
- ** FOR GATE CONTROLLERS WITH 2, 3, AND 4 GATES ONLY
- *** FOR GATE CONTROLLERS WITH 3 AND 4 GATES ONLY
- **** FOR GATE CONTROLLERS WITH 4 GATES ONLY



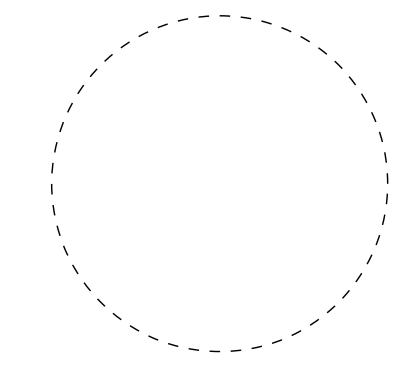
NEBRASKA DEPARTMENT OF ROADS OPERATIONS DIVISION ITS			
AUTOMATED GATE TYPICAL PLAN			
DESIGNED	CONTROLLER CABINET LAYOUT		
REVIEWED			
APPROVED	DATE DRAWN	ENGINEER	DATE

TRAFFIC ENGINEERING DIVISION



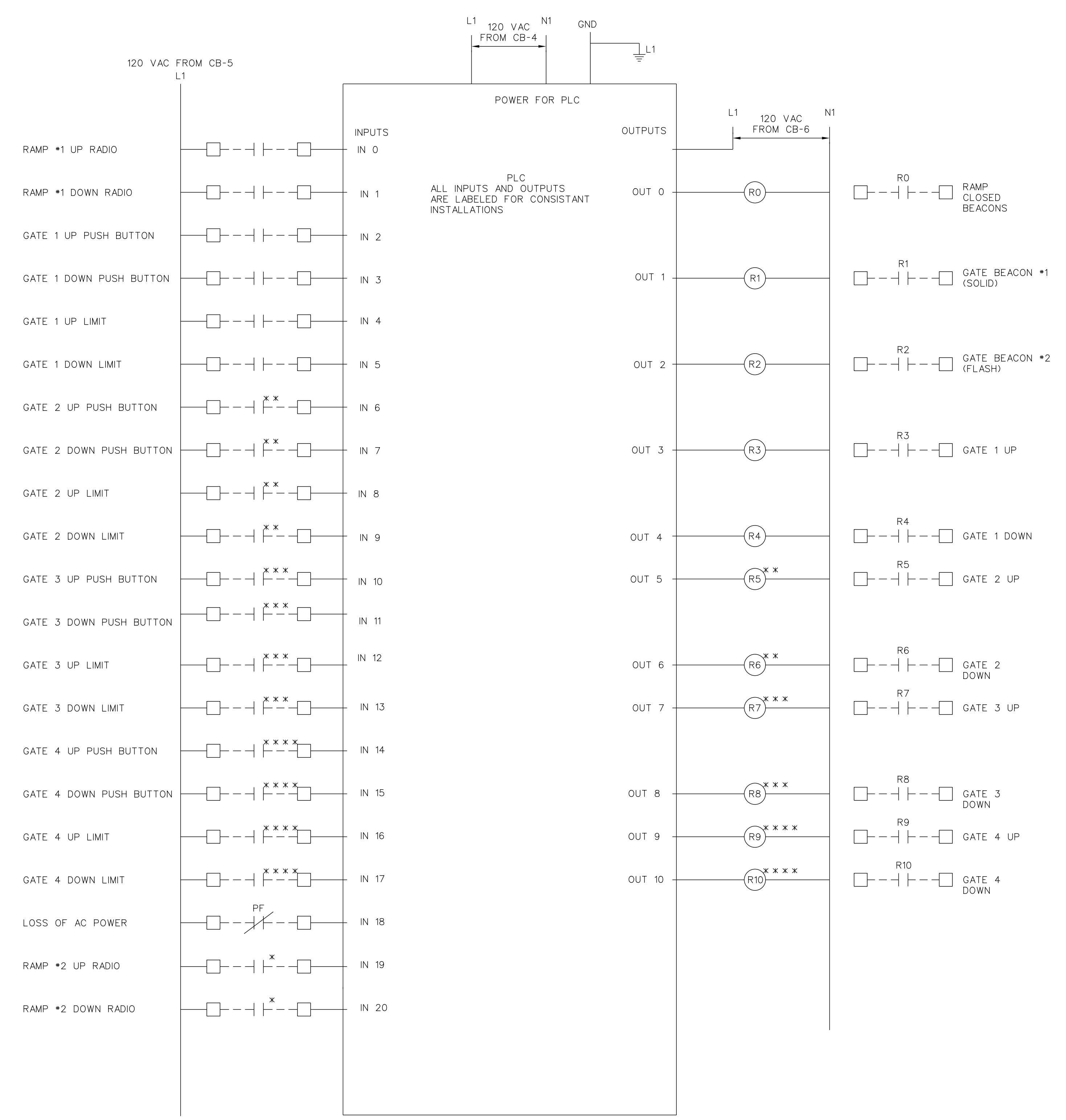
- LEGEND**
- * SELECT LOCATIONS ONLY
 - ** FOR GATE CONTROLLERS WITH 2, 3, AND 4 GATES ONLY
 - *** FOR GATE CONTROLLERS WITH 3 AND 4 GATES ONLY
 - **** FOR GATE CONTROLLERS WITH 4 GATES ONLY

File: autogate controller typicis.dwg 20-MAY-2022 08:11 Computer: B00423M134



NEBRASKA DEPARTMENT OF ROADS OPERATIONS DIVISION ITS			
AUTOMATED GATE TYPICAL PLAN			
DESIGNED	CONTROLLER CABINET WIRING		
REVIEWED			
APPROVED	DATE DRAWN	ENGINEER	DATE

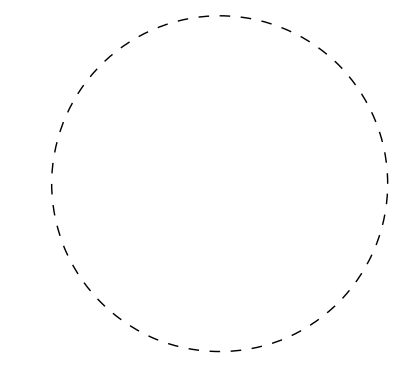
TRAFFIC ENGINEERING DIVISION



LEGEND

- * SELECT LOCATIONS ONLY
- ** FOR GATE CONTROLLERS WITH 2, 3, AND 4 GATES ONLY
- *** FOR GATE CONTROLLERS WITH 3 AND 4 GATES ONLY
- **** FOR GATE CONTROLLERS WITH 4 GATES ONLY

File: autogate controller typicls04.dwg Computer: B00423M134 20-MAY-2022 08:11

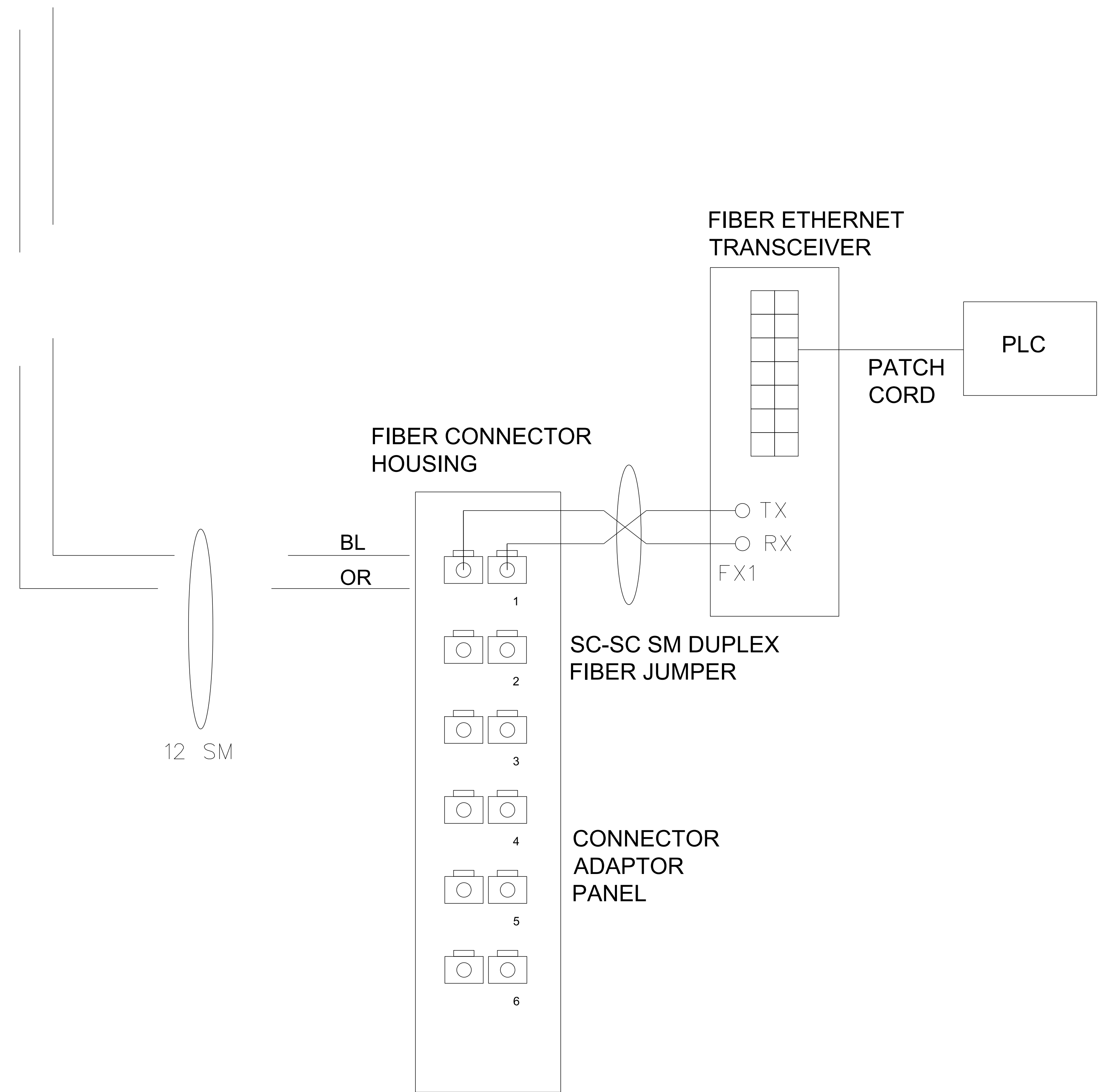


NEBRASKA DEPARTMENT OF ROADS OPERATIONS DIVISION ITS			
AUTOMATED GATE TYPICAL PLAN			
DESIGNED	PLC WIRING		
REVIEWED			
APPROVED	DATE DRAWN	ENGINEER	DATE

TRAFFIC ENGINEERING DIVISION

Computer: B00423M134

File: autogate controller typical.dwg 20-MAY-2022 08:12



NEBRASKA DEPARTMENT OF ROADS OPERATIONS DIVISION ITS			
AUTOMATED GATE TYPICAL PLAN			
DESIGNED	FIBER OPTIC CONNECTIONS		
REVIEWED			
APPROVED	DATE DRAWN	ENGINEER	DATE